

# ACC7032

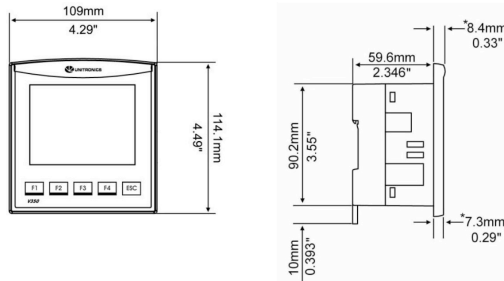
## 3.5" color touchscreen

Field-Configure: 8 groups, 100 units

CUSTOM: 1 LANs

Up to 200 Addresses

Up to 20 Groups



## Description

AirCare Automation's ACC7032 – Field Configure FFU Control Console with Environment Monitoring intelligently MONITORS and CONTROLS clean room and facility environments. The console provides communication (MODBUS-RTU platform), unit control, and system monitoring in one easy-to-use package. The ACC7032 provides Environment Monitoring with up to 6 analog sensors that can be monitored and data-logged. Analog Sensors (temp, RH, pressure) can be connected for monitoring and control.

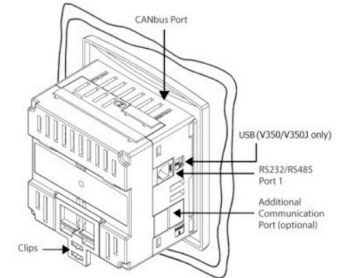
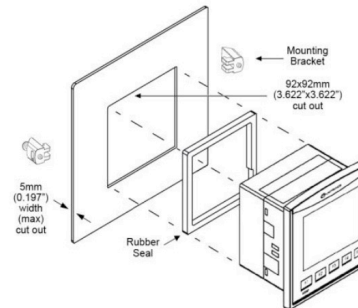
**Customized versions are available that provide for up to 200 FFU and up to 20 groups to meet your facility needs. This Console platform is limited to 6 analog sensors and any system requirement exceeding 6 sensors will need to go to a larger, custom Console platform.**

## ACC7032 Specification:

- Power supply nominal: 24VDC
- Permissible range: 10.2-28.8VDC
- Max. current: 420 mA@24V
- Battery back-up: 7 years typical.
- Display Screen: TFT LCD, White LED backlight
- Display resolution: 320 x 240 pixels (SVGA)
- Viewing area: 3.5"
- Touchscreen: Resistive, analog
- Serial Port (MODBUS)- Baud rate 9600
- Isolated RS485 – Ethernet Port

## Functions/ Features Available

- 3 levels of control facility, group, unit
- Automatically monitor, generate and report errors
- Individual fan speed adjustment
- Global speed adjustment facility/groups
- Global set-back speed adjustment
- Central monitoring of fault sensors
- Central monitoring for Temp/RH, Pressure transducers, FFU set-point/RPM
- Menu driven configuration options
- Password protected user control: View, User, Master
- Clock/Calendar feature to set Standby periods
- I/Os for Alarm, Stop & Standby
- **Data Logging**
- **E-Mail Alarm notification**
- Event Log



8204 N Lamar Blvd Suite B-11  
Austin, TX 78753  
PH:1-855-234-9237  
FAX:1-866-542-0612

Visit us at: [aircareautomation.com](http://aircareautomation.com)  
Email: [info@aircareautomation.com](mailto:info@aircareautomation.com)

DRAWING NAME	ACC7032 Submittal
APPROVED BY	
THIS INFORMATION IS THE SOLE PROPERTY OF AIRCARE AUTOMATION INC. ANY REPRODUCTION IN PART OR WHOLE WITHOUT THE WRITTEN PERMISSION OF AIRCARE AUTOMATION INC. IS PROHIBITED. PROPRIETARY AND CONFIDENTIAL	

JOB NAME	JOB #	Submittal
ENGINEER		NA
CONTRACTOR		