

Zephyr 2

3.5" color touchscreen

Field-Configure: 6 groups, 100 units
Monitoring – 6 areas (T, RH, DiffP)

CUSTOM: 1 LANs
Up to 100 Addresses
Up to 8 Groups



Overview

AirCare Automation's **Zephyr 2** – Field Configure Monitoring Console intelligently MONITORS and CONTROLS clean room and facility environments. The console provides communication (MODBUS-RTU platform), system monitoring (and FFU control) in one easy-to-use package.

The **Zephyr 2** console supports cleanroom monitoring up to 6 rooms – with ability to add FFU control for up to a total of 100 FFU addresses. Plug-and Play, the Console is field configurable to match your facility layout needs. The **Zephyr 2** Console is supplied in a White Steel enclosure (ACPNL00 with SMPS) to easily wall mount. Ethernet Access provides remote access to the console, e-mail alarm notification and data-log download for the sensor readings.

Functions/ Features

- Monitor Diff. Pressure, Temp, RH
- Set Hi/Lo alarm limits
- Adjust read-out to match certifier measurements
- 6 rooms
- Data-Log of results
- E-mail Alarm notification
- Menu driven configuration options
- 3 levels of user control: View, User and Master

Specifications for Touchscreen Console

Power Supply

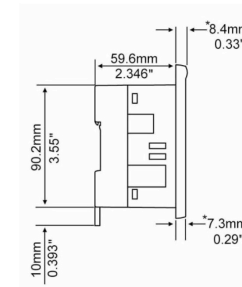
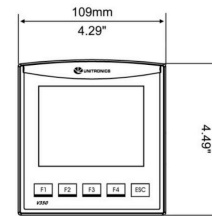
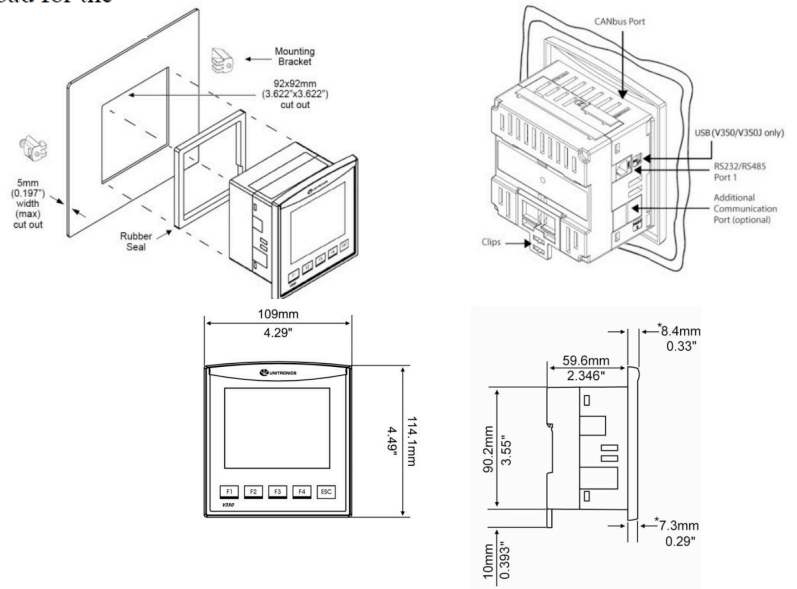
- Input Voltage: 24 VDC
- Max Current Consumption: 240mA@24V

Display Screen

- TFT, LCD Display, White LED backlit
- Viewing Area: 3.5"
- Display resolution: 320 x 240 pixels

Keyboard

- Virtual Keyboard when Data entry needed.



8204 N Lamar Blvd Suite B-11
Austin, TX 78753
PH:1-855-234-9237
FAX:1-866-542-0612

Visit us at: aircareautomation.com
Email: info@aircareautomation.com

DRAWING NAME **Zephyr 2 Submittal**

APPROVED BY

THIS INFORMATION IS THE SOLE PROPERTY OF AIRCARE AUTOMATION INC. ANY REPRODUCTION IN PART OR WHOLE WITHOUT THE WRITTEN PERMISSION OF AIRCARE AUTOMATION INC. IS PROHIBITED.
PROPRIETARY AND CONFIDENTIAL

JOB NAME JOB # **Submittal**

ENGINEER **NA**

CONTRACTOR