

Overview

Our NEMA 1 Steel Enclosure are painted white and provides a full NEMA1 enclosure for our Graphic Screen and 3.5" touchscreen Console with sensors. It can also be used for a 5.7" or 7" touchscreen consoles.

Our enclosures are able to house PLC's, gateways, fuse blocks, din-mounted power supplies, pressure transducers and other I/Os. Our enclosures are supplied seamless, ready for conduit and wireway holes to be drilled.

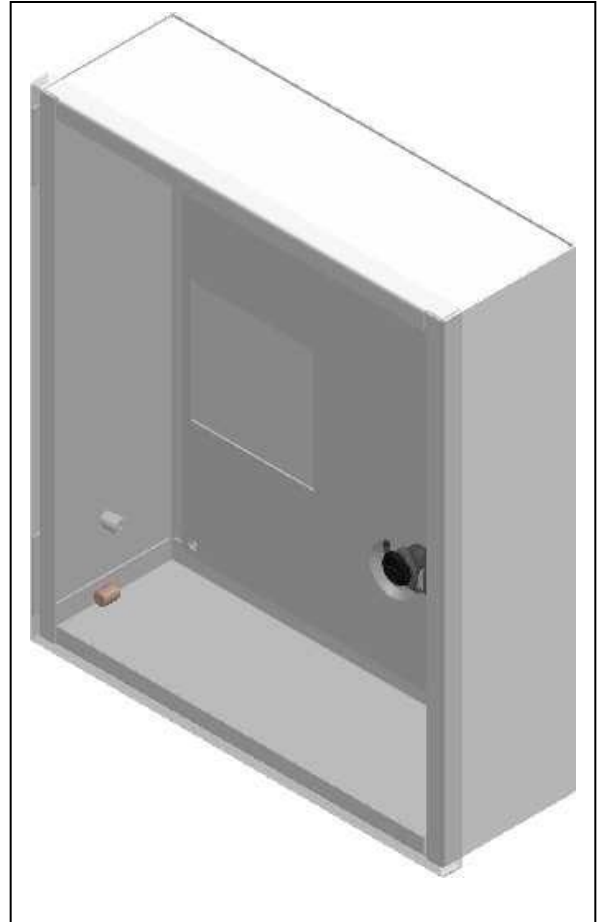
Main Features

- Color – Painted White for professional look.
- Flexible interior mounting – features a customized mounting plate inside the panel box for internal wiring/materials.
- Features multiple bosses for easy installation of devices and DIN rails.

Specifications

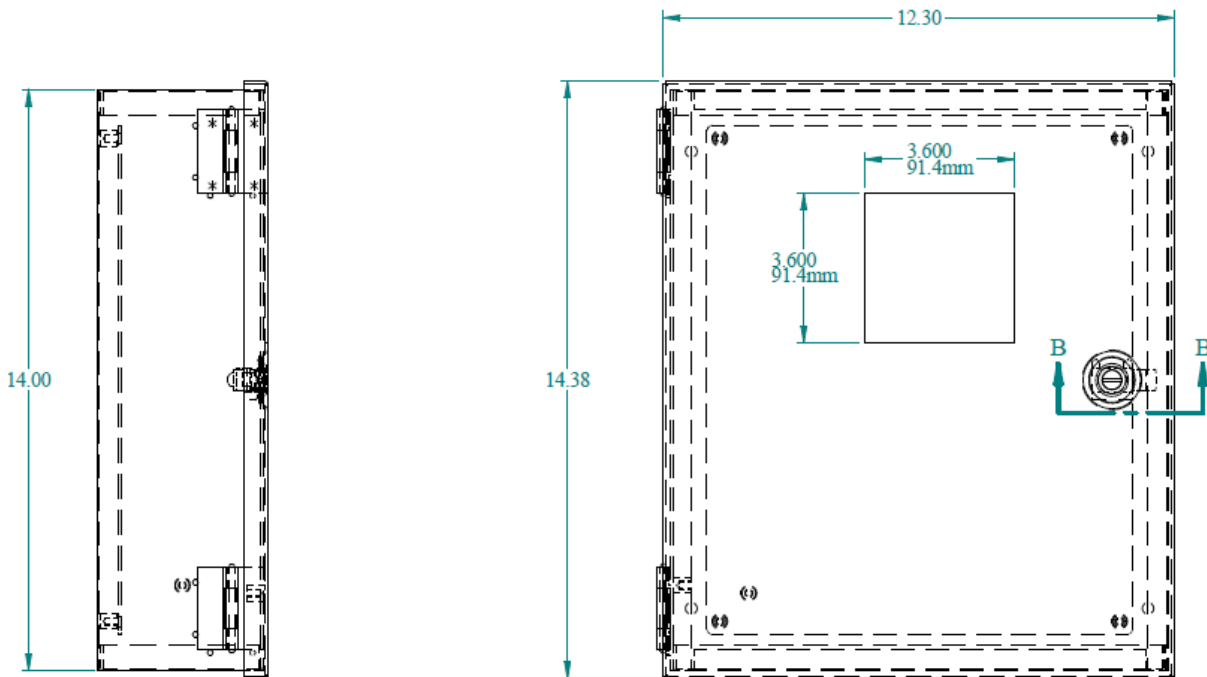
Mechanical and Thermal

- Formed and spot welded from 16 gauge steel.
- Formed steel covers close by use of slotted quarter turn latch.
- Full swing door using butt hinges.
- Through holes in back for wall mounting.
- Bonding stud is provided on the door and a grounding stud is provided on the box.
- Includes 14 gauge steel inner panel.



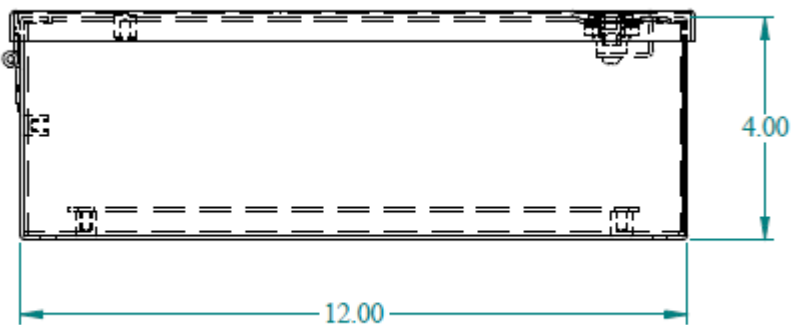
Industry Standards

- UL-50 Type 1
- CSA Type 1
- Complies with
 - NEMA Type 1
 - IEC 60529, IP20
- ACPNL08, 14x12x4 - accommodates ACC7015, ACC7016, ACC7020, ACC7022, ACC7030, ACC7031 ACC7032 with up to 6 sensors installed.
- Also accommodates ACC7050, ACC7052, ACC7072 consoles with no sensors installed.

Mechanical Dimensions

SIDE VIEW

FRONT VIEW



BOTTOM VIEW