

## Overview

The ACS2405 is a differential pressure switch that signals either positive, negative or zero air movement. In FFU applications it can be used to monitor faulty filter or FFU motor functions. When the pressure between the negative pressure port and the positive pressure port crosses a “set-value” the main diaphragm activates the snap switch.



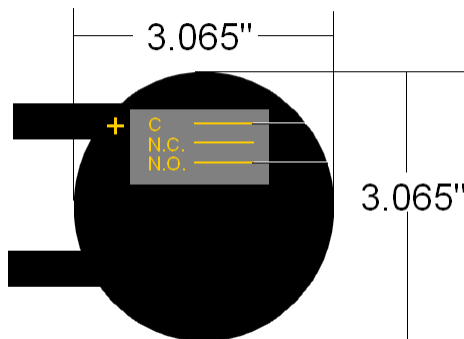
## Specifications

- Media: Air
- Field Adjustable Range: 0.16”WC to 3.2”WC make on positive or negative pressure rise. Minimum upper switching pressure 0.16” WC . Minimum lower switching pressure 0.8”WC
- Switch Differential: Not less than 0.04” WC and not greater than 0.12” WC depending on pressure settings
- Maximum Operating Pressure: 4”WC
- Operating Temperature Range: 105° Maximum
- Electrical Rating: 125V/250V @5A single pole on-off
- Contact Arrangement: SPST
- Terminals: .25” Male Q.C.
- Calibration: The ACS2405 is normally calibrated at 0.5”WC. Ramp rate at switch point=0.012” WC/second
- Calibration Tolerance: Standard production tolerance at ambient temperature is ± 0.04”WC or ± 5% of set point, whichever is the greater.
- Pressure Connections: 6mm O.D. push on tubing.

## Installation

Connect High Pressure port inside the FFU chamber and Low Pressure port to ambient. Use 4 screws with maximum penetration depth of 6.3mm to mount.  
*See wiring diagram below for electrical connections.*

## Mechanical



## Wiring Diagram

The ACS2405 connects to the 7 Way terminal block located on AirCare VariPhase (V-Series) or ACM1014/15 EC Interface Module.

