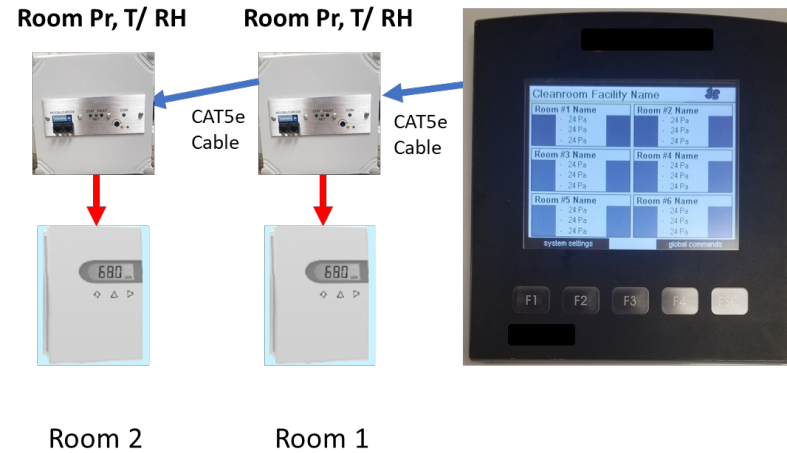


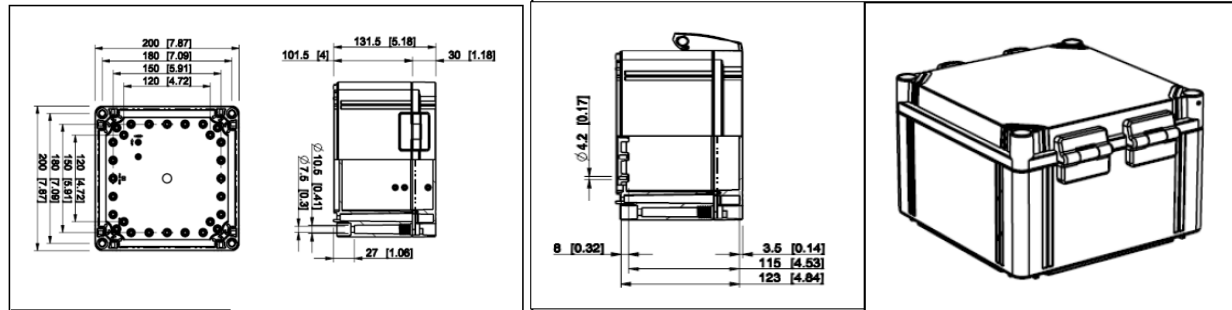
DSM – Distributed Sensor Module


Overview

AirCare Automation's **Distributed Sensor Module – DSM*** is a network accessible (*MODBUS RTU*) module that can connect to the AirCare Monitoring Consoles and provide environment monitoring for cleanroom system without the complicated Centralized panel box builds provided today. Designed to integrate seamlessly into AirCare FFU Control Console Systems, the DSM family provides access to multiple sensor features on standard assembly platforms.



- DSMP – Differential Pressure Sensor (+/- 50 PA)
- DSMTR – Temp (0-122F) RH Sensor – room mount
- DSMTRP – Diff. Pressure, Temp & RH
- **NIST Certificated sensors available upon request***



 <p>8204 N Lamar Blvd Suite B-11 Austin, TX 78753 PH:1-855-234-9237 FAX:1-866-542-0612 Visit us at: aircareautomation.com Email: info@aircareautomation.com</p>	DRAWING NAME DSM Submittal	JOB NAME JOB # Submittal
	APPROVED BY	ENGINEER NA
	THIS INFORMATION IS THE SOLE PROPERTY OF AIRCARE AUTOMATION INC. ANY REPRODUCTION IN PART OR WHOLE WITHOUT THE WRITTEN PERMISSION OF AIRCARE AUTOMATION INC. IS PROHIBITED. PROPRIETARY AND CONFIDENTIAL	CONTRACTOR