

## Overview

The ACM1005 power supply is a reliable way to distribute +12V power to an AirCare control network.

Several AirCare products (including Variphase models) are internally powered. Other network devices, such as the ACM1004 Interface for GE ECM motors, require a powered network to operate.

The ACM1005 supplies enough power for 15-20 units using a wall-mountable box and an AC wall adaptor.

AirCare ACC1 series Small-System consoles can also be conveniently powered through their network port using an ACM1005 supply.



## Product Description

The ACM1005 consists of a wall-mountable box with RJ45 ports and a +12Vdc wall adaptor.

The wall-box has two ports, one powered and one un-powered. This allows ACM1005 power supplies to be inserted at regular intervals in larger control networks. RS485/Modbus signals are passed through from one port to the other.

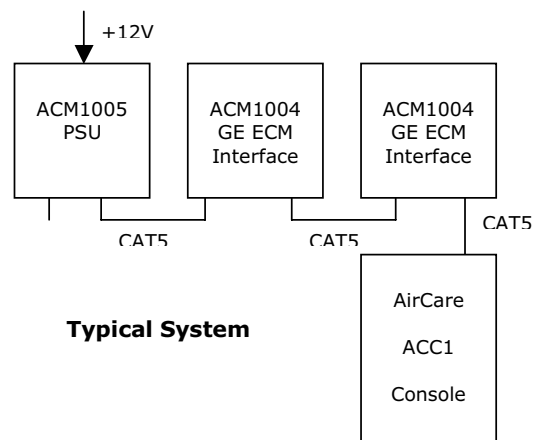
Installation does not require high-voltage wiring. Simply, plug the AC adaptor in an AC socket and plug the barrel connector into the wall-box.

For permanently wired power systems consider AirCare model ACM1008.



## Specifications

- Output : 12VDC at 1 Amp
- Available in 115V and 230V models
- Powers 15-20 AirCare devices
- Easy to Install – all low voltage
- Connectors
  - RJ45 for network
  - 2.1" DC barrel type connector for +12V
- Wall-box Size : 3.0" x 4.7" x 2.0"



For assistance call **512-249-7526**