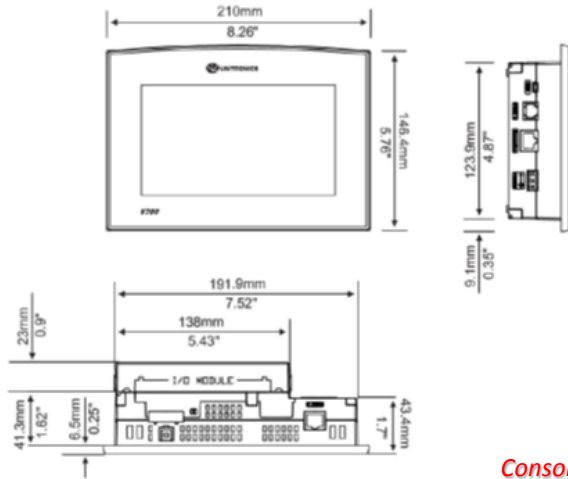


ACC7072

2 LANs
Up to 400 Addresses
Up to 50 Groups



Description

AirCare Automation's ACC7072 Control Console is a higher resolution and larger screen version of the ACC7052. The color touch screen Console lets you **MONITOR** and **CONTROL** a facility or clean room. AirCare Automation proprietary software imbedded in this PLC provides single-stop facility management customized to your facility. Facility ceiling plans are scanned into the Console to give a facility/room/unit view through touch screen control. Analog Sensors (temp, RH, pressure, particle counters etc.) can be connected for monitoring and control. Closed-loop control can be implemented to maintain sensor settings through FFU or return-air fan auto-adjustments. Customized to your facility needs, this Console will save time and money in your facility or clean-room.

ACC7072 Specifications:

Power supply nominal: 24VDC
 Permissible range: 10.2-28.8VDC
 Max. current consumption: 0.5A@24V
 Battery back-up: 7 years typical at 25°C

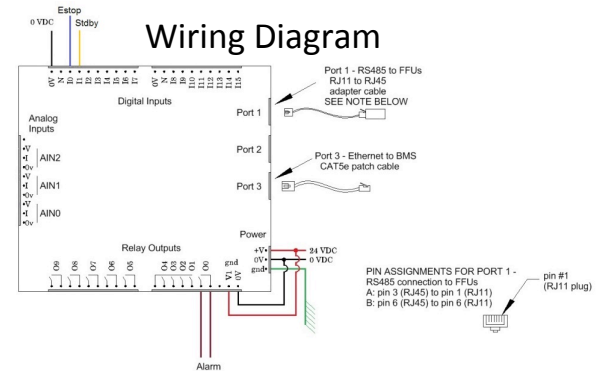
Display Screen: TFT LCD, White LED backlight
 Display resolution: 800x600 pixels (SVGA)
 Viewing area: 7.0"
 Colors: 65,536
 Touchscreen: Resistive, analog

*Console provides MODBUS RTU communications and others:
 FFU on network need to match control platform with Console*

Functions/ Features Available

- 3 levels of control facility, group, unit
- Automatically monitor, generate and report errors
- Individual fan speed adjustment
- Global speed adjustment facility/groups
- Global set-back speed adjustment
- Central monitoring of fault sensors
- Central monitoring for Particle Counters, Pressure transducers, FFU set-point/RPM
- Supports up to 24 PID control loops
- Menu driven configuration options
- Password protected user control: View, User, Master
- Clock/Calendar feature to set Standby periods
- I/Os for Alarm, Stop & Standby
- **Data Logging**
- **E-Mail Alarm notification**
- Event Log

Wiring Diagram



8204 N Lamar Blvd Suite B-11
 Austin, TX 78753
 PH:1-855-234-9237
 FAX:1-866-542-0612

Visit us at: aircareautomation.com
 Email: info@aircareautomation.com

DRAWING NAME	ACC7072 Submittal
APPROVED BY	
THIS INFORMATION IS THE SOLE PROPERTY OF AIRCARE AUTOMATION INC. ANY REPRODUCTION IN PART OR WHOLE WITHOUT THE WRITTEN PERMISSION OF AIRCARE AUTOMATION INC. IS PROHIBITED.	
PROPRIETARY AND CONFIDENTIAL	

JOB NAME	JOB #	Submittal
ENGINEER		NA
CONTRACTOR		